

# BARRIERE SECONDARY COUGAR NEWS



## What's Happening This Week

MONDAY, April 27

- Pro-D Day (No School for Kids)

TUESDAY, April 28

- 

WEDNESDAY, April 29

- 

THURSDAY, April 30

- Term 3 Ends

FRIDAY, May 1

- 

## Upcoming Dates

April 27 Pro-D Day

April 29 Learning Updates Published

May 6 Grad Fashion Show

May 15 Pro-D Day

May 18 Victoria Day (School Closed)

*April 27 – May 1*

Pesll7éwten

melting month

**Secwepemcúl'ecw yi7élye  
ell, re tmicws re Simpcw  
n7élye.**

**Acknowledge that we are on  
the territory of the  
Secwepemc Nation,  
specifically the territory of  
the Simpcw People.**

## Cafeteria Menu

Monday

- Pro-D Day (No School for Kids)

Tuesday

- Grilled Ham & Cheese w Veg or  
Butter Chicken w Rice & Pita

Wednesday

- Chicken Caesar Wrap or Pulled Pork  
Sandwich w Coleslaw & Veg

Thursday

- Club House Sandwich w Veg or  
Chili & Cornbread

Friday

- Tortellini Soup w Bun or Perogies w  
Sausage

## From the Main Office

Please use the automated system/app from Safe Arrival (see below for more information) to mark students late or absent in the morning. Cut off is around 9:00 am when the call out is usually sent.

## France Trip 2027

All families interested in having their child participate in the BSS trip to Paris in 2027 there will be an information meeting May 11, 2026, at 6:30 pm, immediately after the BSS PAC meeting. We will meet in the BSS library.

## Cafeteria

The cafeteria will be open on Thursday, September 4. Cash is accepted or you may purchase your child(ren) lunch cards through the [SchoolCash](#) Online system.

## Year Books

The deadline for purchasing BSS 2025-2026 yearbooks is May 11, 2026. If you would like to purchase yearbooks they can be purchased at <https://sd73.schoolcashionline.com/Fee/Details/47606/255/False/True>

## Breakfast Program

The **Free** Breakfast Program has started. For those new to BSS, every weekday from 8:00 am – 8:25 am all students can enjoy a free breakfast.

## Lost and Found Items

If students have misplaced clothing or personal items, they will be placed on the table at the entrance to the school where students and families can collect the items. If you happen to be in the school, please have a look. Unfortunately, we do not have space to store these items for long periods of time.

## Leaving Early or Reporting Absences

Under "Safe Arrival": Did you know there is a safe arrival app? This makes reporting absences that much easier! You can find more information [HERE](#).

A reminder to parents that ALL absences/ lates /early dismissals should be recorded on our Safe Arrival system prior to 8:30 am on the day of the absence/ late / dismissal (you can also report absences in advance, if they are known). Please review [THIS](#) link for more information and instructions.

## **Ministry of Education 2025/2026 Student Learning Survey**

The Provincial Student Learning Survey collects feedback from parents, teachers, and students on topics like school environment, safety, and achievement. This helps schools plan and gives a broader district and provincial perspective.

In early 2026, students in grades 7, 10, 11, and 12, along with their parents/guardians and school staff, will take the survey. Participation is encouraged, as the results help highlight strengths and areas for improvement.

The survey can be completed electronically and can be accessed on the Internet at [http://www.bced.gov.bc.ca/sat\\_survey/access.htm](http://www.bced.gov.bc.ca/sat_survey/access.htm) Any computer or mobile device with an Internet connection can be used, and access to the e-survey is simple and secure. The survey can be accessed through the link and by clicking on Take the Survey. On the login page, click on the Parents icon, and then select the school district and school name (Barriere Elementary-Secondary).

The e-survey site will be open until May 1, 2026.

If you have any questions, please contact the school at (250) 672-9943.

### **BSS Personal Device Policy**

Please speak with your child prior to them coming on Tuesday about the [BSS Digital Device Usage Policy](#). While the official language is below, what it means is that personal devices, such as cell phones are not to be used during class time. Phones must be stored in their lockers during class time.

At Barriere Secondary School we believe that the foundations of a safe, caring, and welcoming school environment are fostered and maintained through a focus on inclusivity and equity-focused education implemented and supported through a progressive

### **FEES and SchoolCash**

School fees and athletic fees are now posted and can be paid through Schoolcash. If you are looking to stop by the school and pay fees using cash, exact change would be appreciated.

Starting September 2025 individual student fees (enhancement fees for field trips and athletics for example) will include a processing fee for all payment transactions using online payment options. This processing fee, which was approved by the Board after the budget consultation process last spring, represents actual costs the Board incurs for using online fee payment services. Cash and cheque payments will not incur this processing fee. We recognize that fee increases can be challenging for families. School District 73 is committed to ensuring that no student is excluded from an educational program or activity or extracurricular activity because of financial need as outlined in the District's Administrative Procedure 506: Student Financial Assistance.



Welcome to the Cougar Pride Grad Newsletter— Our Post-Secondary, Scholarship & Awards Newsletter!

This will be your go-to source for Post-Secondary, Scholarship, and Awards information. A new edition will be released at the beginning of each month, with regular updates as new

opportunities arise — so check back often!

Be sure to explore the Resources section at the end of the newsletter for important information on post-secondary registration, transcript requests, and reference letters to support your next steps after graduation.

For more information reach out to Ms. Domingo and checkout the latest edition here: <https://app.smores.com/n/4p3b8>

### BSS Bell Schedule for the 2025/2026 School Year

The [bell schedule](#) for the 2025/2026 school year will be changed slightly from this year. The start end times for the day will remain the same but there will now be two blocks before lunch and two after lunch. This change will allow for lunch to take place earlier in the day, hopefully helping to ensure students have better access to food throughout the day.

TIME	Day 1	Day 2	Day 3
8:25 A.M.	Warning Bell		
8:30 - 9:48	A	C	D
9:48 - 10:04	16 Min LONG BREAK		
10:04 - 11:22	B	B	B
11:22 - 12:19 (warning 12:14)	LUNCH		
12:19 - 1:37	C	D	A
1:37 - 1:43	BREAK		
1:43 - 3:01	D	A	C
3:01	DISMISSAL		

**\*Barriere Secondary School - Schedule of School Fees 2025-2026\***

*School Fee invoices are distributed to students*

**September 2025 for Semester 1 and February 2026 for Semester 2**

Please note that paying online has a processing fee (on average 5%) incorporated in the cost to be paid online, which was approved by the Board after the budget consultation process last spring. These represent true transaction fees charged by the District's processing platform.

**Payments made to the school by cash or cheque should be submitted at the lower amount specified below.**

**Kindly ensure payments are made in the exact amount, as no change can be provided.**

**STUDENT ACTIVITY FEE - \$10.75 online / \$10.00 cash or cheque**

Charged to ALL students for supplies to support general school activities over the school year.

**LOCK RENTAL - \$6.50 online / \$6.00 cash or cheque**

Charged to ALL students. Students will be assigned a lock by the school at the beginning of the year and will be expected to return the lock at the end of each year until they leave the school. Students are required to use the lock provided by the school.

**GRAD FEES - \$89.00 online / \$85.00 cash or cheque**

Charged to Grade 12 graduating students includes: Lifetouch grad photo sitting fee, grad gown rental, souvenir hat & tassel, souvenir grad photo composite in folder and other grad incidentals.

**YEARBOOK-OPTIONAL FEE - \$42.00 online / \$40.00 cash or cheque**

Optional fee to pre-order the school yearbook and keep those GREAT school memories!

**FEE SCHEDULE FOR COURSE ENHANCEMENTS**

The following Fee Schedule represents maximum amounts that would be charged in each of the classes. The items listed are descriptions of consumables for courses, with more specific details to be given within the course outline from the classroom teacher.

	online	Cash Cheque		online	Cash Cheque
<b>Mosaic</b>			<b>Technology Education</b>		
<b>Mosaic 7 and 8</b>	<b>\$31.50</b>	<b>\$30</b>	<b>Art Metal 10-12</b>	<b>\$47.25</b>	<b>\$45</b>
Supplies for ADST (Applied Design, Skills and Technology) activities including wood, art supplies and groceries			Metal, casting, supplies, gas, solvents, fasteners, welding/brazing consumables, abrasives and jewelry supplies		
<b>Visual Arts</b>			<b>Metalwork 9-12</b>	<b>\$47.25</b>	<b>\$45</b>
<b>Art Studio 9</b>	<b>\$26.25</b>	<b>\$25</b>	Metal stock, sheet metal, gasses, solvents, fasteners, welding/brazing consumables, abrasives, and hearing protection		
<b>Art Studio 10-12</b>	<b>\$26.25</b>	<b>\$25</b>	<b>Woodwork 9-12</b>	<b>\$42</b>	<b>\$40</b>
<b>Photography 11</b>	<b>\$36.75</b>	<b>\$35</b>	Wood, adhesives, fasteners, abrasives, blades, finishing products, and other consumables		
<b>Media Design</b>	<b>\$21.25</b>	<b>\$20</b>	<b>Skills Exploration 10-12</b>	<b>\$52.50</b>	<b>\$50</b>
<b>Media Arts</b>	<b>\$10.75</b>	<b>\$10</b>	Building materials: lumber, plywood, fasteners, electrical supplies, and plumbing supplies		
<b>Home Economics</b>			<b>Information Technology 9-12</b>	<b>10.75</b>	<b>\$10</b>
<b>Food Studies 9-12</b>	<b>\$52.50</b>	<b>\$50.00</b>	<b>Entrepreneurship and Marketing</b>	<b>\$5.50</b>	<b>\$5</b>
Groceries and supplies for labs			<b>Fitness and Conditioning 11-12</b>	<b>\$47.25</b>	<b>\$45</b>
<b>Textiles 8/9</b>	<b>\$31.50</b>	<b>\$30.00</b>	<b>Human Performance 9-12</b>	<b>\$31.25</b>	<b>\$30</b>
For materials and associated costs					
<b>Textiles 10-12</b>	<b>\$31.50</b>	<b>\$30.00</b>			



**BARRIERE YOUTH  
SOCCER ASSOCIATION**

# 2026 SEASON

Division	U4-6 Timbits	U8 Timbits	U10	U13	U17
Year Born	2022 2021 2020	2019 2018	2017 2016	2015 2014 2013	2012 2011 2010 2009

### U8 - U17

April 20th - June 15th  
Mondays & Wednesdays  
U8 - U13 6:00 - 7:00  
U17 7:00 - 8:00  
*\*no practice May 18th*

### U4 - U6

April 25th - June 20th  
Saturday mornings 10:00 - 10:45  
*\*no practice May 16th & June 6th*

## **COST:**

**U4-U6 \$60**

**U8-U17 \$80**

### Includes:

- June 6th & 7th Footy Fest Tournament in Clearwater
- 1 away game in Clearwater
- 2 home games in Barriere against Clearwater



Thank you to our sponsors



## **Registration**

Open Feb 15th - Mar 22nd  
<https://go.teamsnap.com/forms/514319>

More info: [barriereyouthsoccer@gmail.com](mailto:barriereyouthsoccer@gmail.com) Facebook: @BarriereYouthSoccer

SCHOOL FUNDRAISER

# PLANTER BOXES



**\$300**

EACH



## LOCAL RED CEDAR

30" WIDE X 70" LONG X 32" TALL

Western Red Cedar from Gilbert Smith Barriere

Youth Explore Trades Skills students are selling  
raised planter boxes to fundraise for Barriere  
Secondary's Shop Program

[lfielding@sd73.bc.ca](mailto:lfielding@sd73.bc.ca)  
250-672-9943





School Fundraiser


# PICNIC TABLES FOR SALE

Barriere Secondary School's Youth Explore Trades Skills students are building and selling Picnic Tables to fundraise for their program.  
6' long x 28.5" wide table top x 30" tall  
Made from SPF framing lumber  
Galv. carriage bolts  
Epoxyed wood screws  
No paint or stain

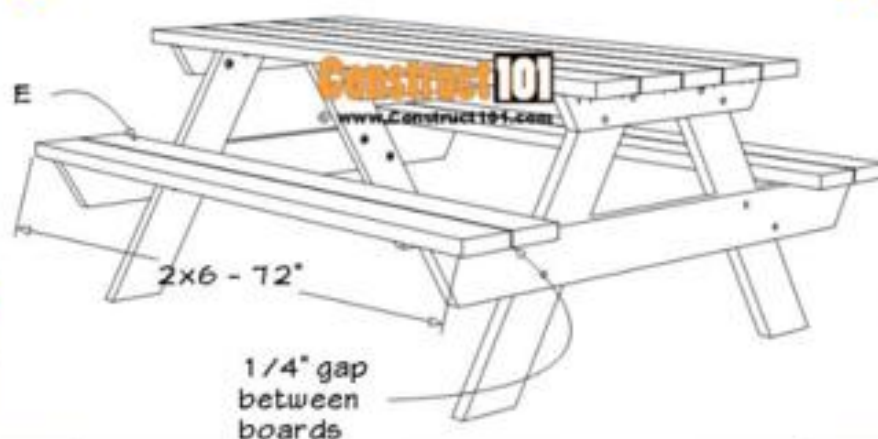
**\$225  
each**

**Order Now**

Pre-purchase/order yours for June pickup

 250-672-9943

 [lfielding@sd73.bc.ca](mailto:lfielding@sd73.bc.ca)





**\$30**

Rotary  
Club of Kamloops West



# 2026 Golf Cards

Use the card up to  
4 times at each course

### **Pineridge Golf Course**

Two green fees for \$45 Mon-Thurs anytime. Valid on green fees only, carts not included.

### **The Dunes at Kamloops**

18 holes guest walking rate of \$80 Sunday to Wednesday after 1pm. Power cart extra. Must be booked in advance.

### **Bighorn Golf & Country Club**

2 for 1, Based on our 18 hole prime season rack rate.

### **Shuswap Lake Golf Course at Blind Bay**

25% Off one regular priced peak season prime time 18 hole green fee. Valid Mon-Thurs after 11am and Fri-Sun/Holidays after 1pm.

### **Chinook Cove Golf & RV**

2 for 1 green fees only, weekdays after 1:30pm and weekends after 2:30pm. Excludes holidays.



**\$30**



**\$30**

See website and card for details and restrictions. [kamloopswestrotary.club](http://kamloopswestrotary.club)

# 2026 Great Deals Restaurant Cards

Visit each restaurant  
up to 4 times!

## **HOJA MONGOLIAN GRILL**

256 Victoria St.

Purchase one adult buffet and get a second buffet for half price Mon-Wed (dine in only)

## **MOXIES KAMLOOPS RESTAURANT**

225 Lorne St.

Half price wine ANYTIME.

## **DENNY'S North Shore**

898 Tranquille Rd

Free appy with purchase over \$40.

All week 5pm-9pm.

## **NOBLE PIG**

650 Victoria St.

Buy one appetizer and get the other for half price ANYTIME.

## **UNDERBELLY**

120 5th Ave

Buy one appetizer and get the other for half price ANYTIME!

## **THE COLUMBIA DINER**

555 Columbia St W.

Two for one lunch or dinner entrée.

Any day, anytime.

See website and card for details and restrictions.



Rotary   
Club of Kamloops West

# \$30

**How to buy:**

 [kamloopswestrotary.club](http://kamloopswestrotary.club)



# Barriere Secondary School Learning Goals 2025-2026



---

Engagement Foster student connection and care by engaging all educational community members.

---

Mental Health Create a school environment that supports positive mental health.

---

Culture Foster a safe, caring, welcoming, and inclusive school culture.

---

For more information please check out the Barriere Secondary School Learning Plan at the following [LINK](#).

## **Admin Message**

Dear Barriere Cougar Families,

A reminder that Monday, April 27 is a Pro-D Day, and there will be no school for students.

Yearbooks are now available for purchase through the office until May 11, 2026—don't miss out on this opportunity to capture the memories of the year!

Reminder that the France trip parent meeting will take place in the BSS library on Monday, May 11 at 6:30 pm. If you are interested in your child traveling to Paris in 2027 please stop by to learn more and ask questions.

Enjoy the beautiful spring weather.

Warm regards,

Andres Ruberg  
Vice-Principal

Derek Markides  
Principal