

BARRIERE SECONDARY COUGAR NEWS



What's Happening This Week

MONDAY, May 18

- Victoria Day (School Closed)

TUESDAY, May 19

-

WEDNESDAY, May 20

-

THURSDAY, May 21

-

FRIDAY, May 22

-

Upcoming Dates

May 26 Mosaic 8 Begins
June 11 District Honours
June 12 BSS Graduation
June 15 Indigenous Graduation
June 19 Simpcw Graduation
June 23 Last Day of Classes
June 24 & 25 Project Completion Days
June 26 Administrative Day (No School for Students)

May 18 – May 22

Pell7é7llqten
digging month

**Secwepemcúl'ecw yi7élye
ell, re tmicws re Simpcw
n7élye.**

**Acknowledge that we are on
the territory of the
Secwepemc Nation,
specifically the territory of
the Simpcw People.**

Cafeteria Menu

Monday

- Victoria Day (School Closed)

Tuesday

- BLT w Veg or Soft Chicken Tacos

Wednesday

- Grilled Ham & Cheese w Veg or Chopped Chicken Salad

Thursday

- Thai Chicken Soup w Flatbread or Greek Dinner

Friday

- Chicken Caesar Wrap or Nachos

From the Main Office

Please use the automated system/app from Safe Arrival (see below for more information) to mark students late or absent in the morning. Cut off is around 9:00 am when the call out is usually sent.

Cafeteria

The cafeteria will be open on Thursday, September 4. Cash is accepted or you may purchase your child(ren) lunch cards through the [SchoolCash](#) Online system.

Breakfast Program

The **Free** Breakfast Program has started. For those new to BSS, every weekday from 8:00 am – 8:25 am all students can enjoy a free breakfast.

Lost and Found Items

If students have misplaced clothing or personal items, they will be placed on the table at the entrance to the school where students and families can collect the items. If you happen to be in the school, please have a look. Unfortunately, we do not have space to store these items for long periods of time.

Leaving Early or Reporting Absences

Under "Safe Arrival": Did you know there is a safe arrival app? This makes reporting absences that much easier! You can find more information [HERE](#).

A reminder to parents that ALL absences/ lates /early dismissals should be recorded on our Safe Arrival system prior to 8:30 am on the day of the absence/ late / dismissal (you can also report absences in advance, if they are known). Please review [THIS](#) link for more information and instructions.

BSS Personal Device Policy

Please speak with your child prior to them coming on Tuesday about the [BSS Digital Device Usage Policy](#). While the official language is below, what it means is that personal devices, such as cell phones are not to be used during class time. Phones must be stored in their lockers during class time.

At Barriere Secondary School we believe that the foundations of a safe, caring, and welcoming school environment are fostered and maintained through a focus on inclusivity and equity-focused education implemented and supported through a progressive



Welcome to the Cougar Pride Grad Newsletter—
Our Post-Secondary, Scholarship & Awards
Newsletter!

This will be your go-to source for Post-
Secondary, Scholarship, and Awards information.
A new edition will be released at the beginning of
each month, with regular updates as new

opportunities arise — so check back often!

Be sure to explore the Resources section at the end of the newsletter for important information on post-secondary registration, transcript requests, and reference letters to support your next steps after graduation.

For more information reach out to Ms. Domingo and checkout the latest edition here:
<https://app.smore.com/n/4p3b8>

FEES and SchoolCash

School fees and athletic fees are now posted and can be paid through Schoolcash. If you are looking to stop by the school and pay fees using cash, exact change would be appreciated.

Starting September 2025 individual student fees (enhancement fees for field trips and athletics for example) will include a processing fee for all payment transactions using online payment options. This processing fee, which was approved by the Board after the budget consultation process last spring, represents actual costs the Board incurs for using online fee payment services. Cash and cheque payments will not incur this processing fee. We recognize that fee increases can be challenging for families. School District 73 is committed to ensuring that no student is excluded from an educational program or activity or extracurricular activity because of financial need as outlined in the District's Administrative Procedure 506: Student Financial Assistance.

BSS Bell Schedule for the 2025/2026 School Year

The [bell schedule](#) for the 2025/2026 school year will be changed slightly from this year. The start end times for the day will remain the same but there will now be two blocks before lunch and two after lunch. This change will allow for lunch to take place earlier in the day, hopefully helping to ensure students have better access to food throughout the day.

TIME	Day 1	Day 2	Day 3
8:25 A.M.	Warning Bell		
8:30 - 9:48	A	C	D
9:48 - 10:04	16 Min LONG BREAK		
10:04 - 11:22	B	B	B
11:22 - 12:19 (warning 12:14)	LUNCH		
12:19 - 1:37	C	D	A
1:37 - 1:43	BREAK		
1:43 - 3:01	D	A	C
3:01	DISMISSAL		

Barriere Secondary School - Schedule of School Fees 2025-2026

School Fee invoices are distributed to students

September 2025 for Semester 1 and February 2026 for Semester 2

Please note that paying online has a processing fee (on average 5%) incorporated in the cost to be paid online, which was approved by the Board after the budget consultation process last spring. These represent true transaction fees charged by the District's processing platform.

Payments made to the school by cash or cheque should be submitted at the lower amount specified below.

Kindly ensure payments are made in the exact amount, as no change can be provided.

STUDENT ACTIVITY FEE - \$10.75 online / \$10.00 cash or cheque

Charged to ALL students for supplies to support general school activities over the school year.

LOCK RENTAL - \$6.50 online / \$6.00 cash or cheque

Charged to ALL students. Students will be assigned a lock by the school at the beginning of the year and will be expected to return the lock at the end of each year until they leave the school. Students are required to use the lock provided by the school.

GRAD FEES - \$89.00 online / \$85.00 cash or cheque

Charged to Grade 12 graduating students includes: Lifetouch grad photo sitting fee, grad gown rental, souvenir hat & tassel, souvenir grad photo composite in folder and other grad incidentals.

YEARBOOK-OPTIONAL FEE - \$42.00 online / \$40.00 cash or cheque

Optional fee to pre-order the school yearbook and keep those GREAT school memories!

FEE SCHEDULE FOR COURSE ENHANCEMENTS

The following Fee Schedule represents maximum amounts that would be charged in each of the classes. The items listed are descriptions of consumables for courses, with more specific details to be given within the course outline from the classroom teacher.

	online	Cash Cheque		online	Cash Cheque
Mosaic			Technology Education		
Mosaic 7 and 8	\$31.50	\$30	Art Metal 10-12	\$47.25	\$45
Supplies for ADST (Applied Design, Skills and Technology) activities including wood, art supplies and groceries			Metal, casting, supplies, gas, solvents, fasteners, welding/brazing consumables, abrasives and jewelry supplies		
Visual Arts			Metalwork 9-12	\$47.25	\$45
Art Studio 9	\$26.25	\$25	Metal stock, sheet metal, gasses, solvents, fasteners, welding/brazing consumables, abrasives, and hearing protection		
Art Studio 10-12	\$26.25	\$25	Woodwork 9-12	\$42	\$40
Photography 11	\$36.75	\$35	Wood, adhesives, fasteners, abrasives, blades, finishing products, and other consumables		
Media Design	\$21.25	\$20	Skills Exploration 10-12	\$52.50	\$50
Media Arts	\$10.75	\$10	Building materials: lumber, plywood, fasteners, electrical supplies, and plumbing supplies		
Home Economics			Information Technology 9-12	10.75	\$10
Food Studies 9-12	\$52.50	\$50.00	Entrepreneurship and Marketing	\$5.50	\$5
Groceries and supplies for labs			Fitness and Conditioning 11-12	\$47.25	\$45
Textiles 8/9	\$31.50	\$30.00	Human Performance 9-12	\$31.25	\$30
For materials and associated costs					
Textiles 10-12	\$31.50	\$30.00			

SCHOOL FUNDRAISER

PLANTER BOXES



\$300

EACH



LOCAL RED CEDAR

30" WIDE X 70" LONG X 32" TALL

Western Red Cedar from Gilbert Smith Barriere

Youth Explore Trades Skills students are selling
raised planter boxes to fundraise for Barriere
Secondary's Shop Program

lfielding@sd73.bc.ca
250-672-9943





School Fundraiser


PICNIC TABLES FOR SALE

Barriere Secondary School's Youth Explore Trades Skills students are building and selling Picnic Tables to fundraise for their program.
6' long x 28.5" wide table top x 30" tall
Made from SPF framing lumber
Galv. carriage bolts
Epoxyed wood screws
No paint or stain

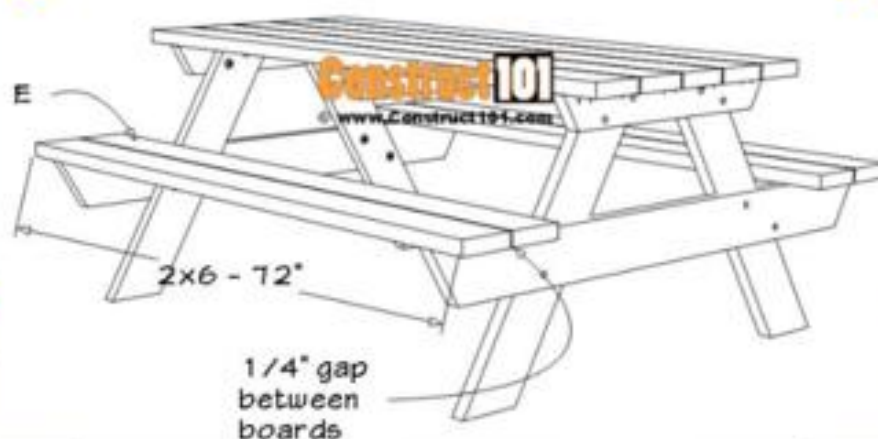
**\$225
each**

Order Now

Pre-purchase/order yours for June pickup

 250-672-9943

 lfielding@sd73.bc.ca





\$30

Rotary
Club of Kamloops West



2026 Golf Cards

Use the card up to
4 times at each course

Pineridge Golf Course

Two green fees for \$45 Mon-Thurs anytime. Valid on green fees only, carts not included.

The Dunes at Kamloops

18 holes guest walking rate of \$80 Sunday to Wednesday after 1pm. Power cart extra. Must be booked in advance.

Bighorn Golf & Country Club

2 for 1, Based on our 18 hole prime season rack rate.

Shuswap Lake Golf Course at Blind Bay

25% Off one regular priced peak season prime time 18 hole green fee. Valid Mon-Thurs after 11am and Fri-Sun/Holidays after 1pm.

Chinook Cove Golf & RV

2 for 1 green fees only, weekdays after 1:30pm and weekends after 2:30pm. Excludes holidays.



\$30



\$30

See website and card for details and restrictions. kamloopswestrotary.club

2026 Great Deals Restaurant Cards

Visit each restaurant
up to 4 times!

HOJA MONGOLIAN GRILL

256 Victoria St.

Purchase one adult buffet and get a second buffet for half price Mon-Wed (dine in only)

MOXIES KAMLOOPS RESTAURANT

225 Lorne St.

Half price wine ANYTIME.

DENNY'S North Shore

898 Tranquille Rd

Free appy with purchase over \$40.

All week 5pm-9pm.

NOBLE PIG

650 Victoria St.

Buy one appetizer and get the other for half price ANYTIME.

UNDERBELLY

120 5th Ave

Buy one appetizer and get the other for half price ANYTIME!

THE COLUMBIA DINER

555 Columbia St W.

Two for one lunch or dinner entrée.

Any day, anytime.

See website and card for details and restrictions.



Rotary 
Club of Kamloops West

\$30

How to buy:

 kamloopswestrotary.club



Barriere Secondary School Learning Goals 2025-2026



Engagement Foster student connection and care by engaging all educational community members.

Mental Health Create a school environment that supports positive mental health.

Culture Foster a safe, caring, welcoming, and inclusive school culture.

For more information please check out the Barriere Secondary School Learning Plan at the following [LINK](#).

Admin Message

Dear Barriere Cougar Families,

We hope that you have a chance to spend some time this weekend relaxing. Wishing everyone a safe and happy long weekend.

Warm regards,

Andres Ruberg
Vice-Principal

Derek Markides
Principal