

BARRIERE SECONDARY COUGAR NEWS



What's Happening This Week

MONDAY, May 25

-

TUESDAY, May 26

- Mosaic 8 Begins

WEDNESDAY, May 27

-

THURSDAY, May 28

-

FRIDAY, May 29

-

Upcoming Dates

May 26 Mosaic 8 Begins
June 11 District Honours
June 12 BSS Graduation
June 15 Indigenous Graduation
June 19 Simpcw Graduation
June 23 Last Day of Classes
June 24 & 25 Project Completion Days
June 26 Administrative Day (No School for Students)

May 25 – May 29

Pell7é7llqten
digging month

**Secwepemcúl'ecw yi7élye
ell, re tmicws re Simpcw
n7élye.**

**Acknowledge that we are on
the territory of the
Secwepemc Nation,
specifically the territory of
the Simpcw People.**

Cafeteria Menu

Monday

- Pork Wrap or Chicken Alfredo w Garlic Toast

Tuesday

- Chicken Rice Soup w Bun or Pulled Pork w Coleslaw & Veg

Wednesday

- Club Wrap or Quesadilla w Spanish Rice

Thursday

- Clubhouse Sandwich or Butter Chicken w Rice & Pita

Friday

- Wonton Soup or Chicken Caesar Salad w Garlic Toast

From the Main Office

Please use the automated system/app from Safe Arrival (see below for more information) to mark students late or absent in the morning. Cut off is around 9:00 am when the call out is usually sent.

Cafeteria

The cafeteria will be open on Thursday, September 4. Cash is accepted or you may purchase your child(ren) lunch cards through the [SchoolCash](#) Online system.

Breakfast Program

The **Free** Breakfast Program has started.

For those new to BSS, every weekday from 8:00 am – 8:25 am all students can enjoy a free breakfast.

Lost and Found Items

If students have misplaced clothing or personal items, they will be placed on the table at the entrance to the school where students and families can collect the items. If you happen to be in the school, please have a look. Unfortunately, we do not have space to store these items for long periods of time.

Leaving Early or Reporting Absences

Under "Safe Arrival": Did you know there is a safe arrival app? This makes reporting absences that much easier! You can find more information [HERE](#).

A reminder to parents that ALL absences/ lates /early dismissals should be recorded on our Safe Arrival system prior to 8:30 am on the day of the absence/ late / dismissal (you can also report absences in advance, if they are known). Please review [THIS](#) link for more information and instructions.

BSS Personal Device Policy

Please speak with your child prior to them coming on Tuesday about the [BSS Digital Device Usage Policy](#). While the official language is below, what it means is that personal devices, such as cell phones are not to be used during class time. Phones must be stored in their lockers during class time.

At Barriere Secondary School we believe that the foundations of a safe, caring, and welcoming school environment are fostered and maintained through a focus on inclusivity and equity-focused education implemented and supported through a progressive



Welcome to the Cougar Pride Grad Newsletter—
Our Post-Secondary, Scholarship & Awards
Newsletter!

This will be your go-to source for Post-
Secondary, Scholarship, and Awards information.
A new edition will be released at the beginning of
each month, with regular updates as new

opportunities arise — so check back often!

Be sure to explore the Resources section at the end of the newsletter for important information on post-secondary registration, transcript requests, and reference letters to support your next steps after graduation.

For more information reach out to Ms. Domingo and checkout the latest edition here:
<https://app.smore.com/n/4p3b8>

FEES and SchoolCash

School fees and athletic fees are now posted and can be paid through Schoolcash. If you are looking to stop by the school and pay fees using cash, exact change would be appreciated.

Starting September 2025 individual student fees (enhancement fees for field trips and athletics for example) will include a processing fee for all payment transactions using online payment options. This processing fee, which was approved by the Board after the budget consultation process last spring, represents actual costs the Board incurs for using online fee payment services. Cash and cheque payments will not incur this processing fee. We recognize that fee increases can be challenging for families. School District 73 is committed to ensuring that no student is excluded from an educational program or activity or extracurricular activity because of financial need as outlined in the District's Administrative Procedure 506: Student Financial Assistance.

BSS Bell Schedule for the 2025/2026 School Year

The [bell schedule](#) for the 2025/2026 school year will be changed slightly from this year. The start end times for the day will remain the same but there will now be two blocks before lunch and two after lunch. This change will allow for lunch to take place earlier in the day, hopefully helping to ensure students have better access to food throughout the day.

TIME	Day 1	Day 2	Day 3
8:25 A.M.	Warning Bell		
8:30 - 9:48	A	C	D
9:48 - 10:04	16 Min LONG BREAK		
10:04 - 11:22	B	B	B
11:22 - 12:19 (warning 12:14)	LUNCH		
12:19 - 1:37	C	D	A
1:37 - 1:43	BREAK		
1:43 - 3:01	D	A	C
3:01	DISMISSAL		

Barriere Secondary School - Schedule of School Fees 2025-2026

School Fee invoices are distributed to students

September 2025 for Semester 1 and February 2026 for Semester 2

Please note that paying online has a processing fee (on average 5%) incorporated in the cost to be paid online, which was approved by the Board after the budget consultation process last spring. These represent true transaction fees charged by the District's processing platform.

Payments made to the school by cash or cheque should be submitted at the lower amount specified below.

Kindly ensure payments are made in the exact amount, as no change can be provided.

STUDENT ACTIVITY FEE - \$10.75 online / \$10.00 cash or cheque

Charged to ALL students for supplies to support general school activities over the school year.

LOCK RENTAL - \$6.50 online / \$6.00 cash or cheque

Charged to ALL students. Students will be assigned a lock by the school at the beginning of the year and will be expected to return the lock at the end of each year until they leave the school. Students are required to use the lock provided by the school.

GRAD FEES - \$89.00 online / \$85.00 cash or cheque

Charged to Grade 12 graduating students includes: Lifetouch grad photo sitting fee, grad gown rental, souvenir hat & tassel, souvenir grad photo composite in folder and other grad incidentals.

YEARBOOK-OPTIONAL FEE - \$42.00 online / \$40.00 cash or cheque

Optional fee to pre-order the school yearbook and keep those GREAT school memories!

FEE SCHEDULE FOR COURSE ENHANCEMENTS

The following Fee Schedule represents maximum amounts that would be charged in each of the classes. The items listed are descriptions of consumables for courses, with more specific details to be given within the course outline from the classroom teacher.

Mosaic	online	Cash Cheque	Technology Education	online	Cash Cheque
Mosaic 7 and 8 Supplies for ADST (Applied Design, Skills and Technology) activities including wood, art supplies and groceries	\$31.50	\$30	Art Metal 10-12 Metal, casting, supplies, gas, solvents, fasteners, welding/brazing consumables, abrasives and jewelry supplies	\$47.25	\$45
Visual Arts			Metalwork 9-12 Metal stock, sheet metal, gasses, solvents, fasteners, welding/brazing consumables, abrasives, and hearing protection	\$47.25	\$45
Art Studio 9	\$26.25	\$25	Woodwork 9-12 Wood, adhesives, fasteners, abrasives, blades, finishing products, and other consumables	\$42	\$40
Art Studio 10-12	\$26.25	\$25	Skills Exploration 10-12 Building materials: lumber, plywood, fasteners, electrical supplies, and plumbing supplies	\$52.50	\$50
Photography 11	\$36.75	\$35	Information Technology 9-12	10.75	\$10
Media Design	\$21.25	\$20	Entrepreneurship and Marketing	\$5.50	\$5
Media Arts	\$10.75	\$10	Fitness and Conditioning 11-12	\$47.25	\$45
Home Economics			Human Performance 9-12	\$31.25	\$30
Food Studies 9-12 Groceries and supplies for labs	\$52.50	\$50.00			
Textiles 8/9 For materials and associated costs	\$31.50	\$30.00			
Textiles 10-12	\$31.50	\$30.00			

Limited Spots Available!
No Previous Experience Required

Sponsored by  **BC Hydro**

IndigenousTech.ai
Canadian Government (PSB) Certified Indigenous Controlled Company

2026 Internship Program

Business & Tech



"Excluding STAT holidays"
July 6th - August 28th



Monday - Friday
10:00am - 3:00pm

A STIPEND and a LAPTOP to Keep

QUALIFICATIONS

- Need to submit resume & cover letter to apply
- Must be 16+

8 WEEK PROGRAM

Learn Technology & Professional Skills

Cloud | Cybersecurity | Data Analytics |
Customer Service | Financial Literacy

Speaker Series with Inspirational Leaders

Chiefs | Indigenous Leaders | Industry Executives

Work Experience through an Industry IT & Data Project

Network with High School Interns across Canada

For more information, Please Contact:
Mary Mackenzie
education.coordinator@simpco.com

Photo By: Coan Harder

SCHOOL FUNDRAISER

PLANTER BOXES



\$300

EACH



LOCAL RED CEDAR

30" WIDE X 70" LONG X 32" TALL

Western Red Cedar from Gilbert Smith Barriere

Youth Explore Trades Skills students are selling
raised planter boxes to fundraise for Barriere
Secondary's Shop Program

lfielding@sd73.bc.ca
250-672-9943





School Fundraiser


PICNIC TABLES FOR SALE

Barriere Secondary School's Youth Explore Trades Skills students are building and selling Picnic Tables to fundraise for their program.
6' long x 28.5" wide table top x 30" tall
Made from SPF framing lumber
Galv. carriage bolts
Epoxyed wood screws
No paint or stain

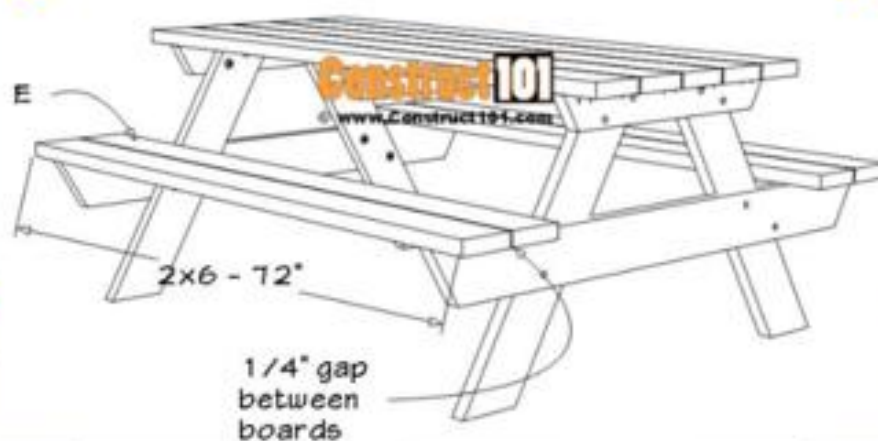
**\$225
each**

Order Now

Pre-purchase/order yours for June pickup

 250-672-9943

 lfielding@sd73.bc.ca





Barriere Secondary School Learning Goals 2025-2026



Engagement Foster student connection and care by engaging all educational community members.

Mental Health Create a school environment that supports positive mental health.

Culture Foster a safe, caring, welcoming, and inclusive school culture.

For more information please check out the Barriere Secondary School Learning Plan at the following [LINK](#).

Admin Message

Dear Cougar Families,

As we look ahead to Graduation on June 12, we are filled with pride and excitement as we prepare to celebrate the graduating Class of 2026. Graduation is a meaningful milestone not only for our students, but also for the families, caregivers, staff, and community members who have supported them along the way.

The Class of 2026 has demonstrated resilience, growth, and determination throughout their years at Barriere Secondary School. They have contributed to our school community through academics, athletics, fine arts, leadership, service, and school spirit. Whether competing on the court or field, performing on stage, participating in clubs, supporting peers, or quietly leading through kindness and perseverance, this graduating class has helped shape the positive culture of our Cougar community.

As a school, we remain committed to fostering responsibility, respect, reciprocity, well-being, and belonging. Our graduates have shown what these values look like in action, and we are confident they will continue to make meaningful contributions wherever their journeys lead next.

Graduation is also a time for reflection and gratitude. Thank you to our families for your ongoing partnership, encouragement, and support over the years. The success of our graduates is truly a shared accomplishment.

We look forward to celebrating this important occasion together on June 12 and honouring the achievements of the Class of 2026.

Warm regards,

Andres Ruberg
Vice-Principal

Derek Markides
Principal